

4 Singing and Dancing

Listen, point and say. TR: 36

Listen and say. TR: 37

Listen, point and say. TR: 38-39



singing



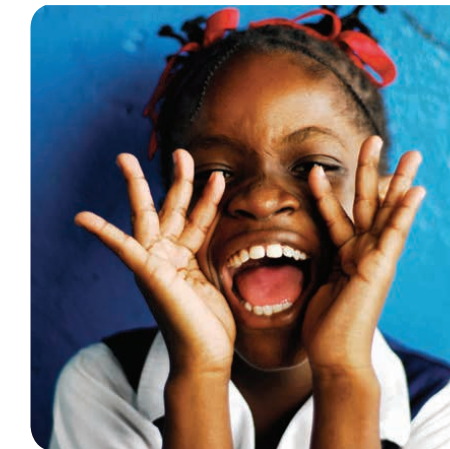
clapping



stamping



dancing



shouting

Listen and say. TR: 40



a drum

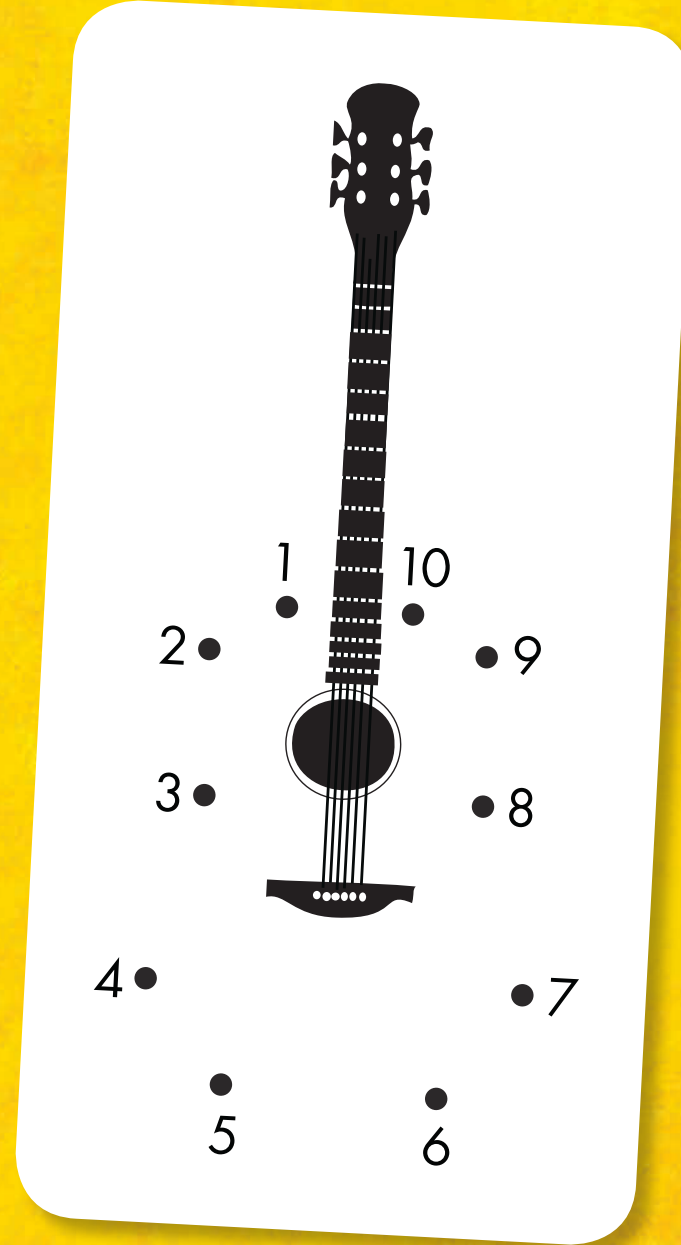
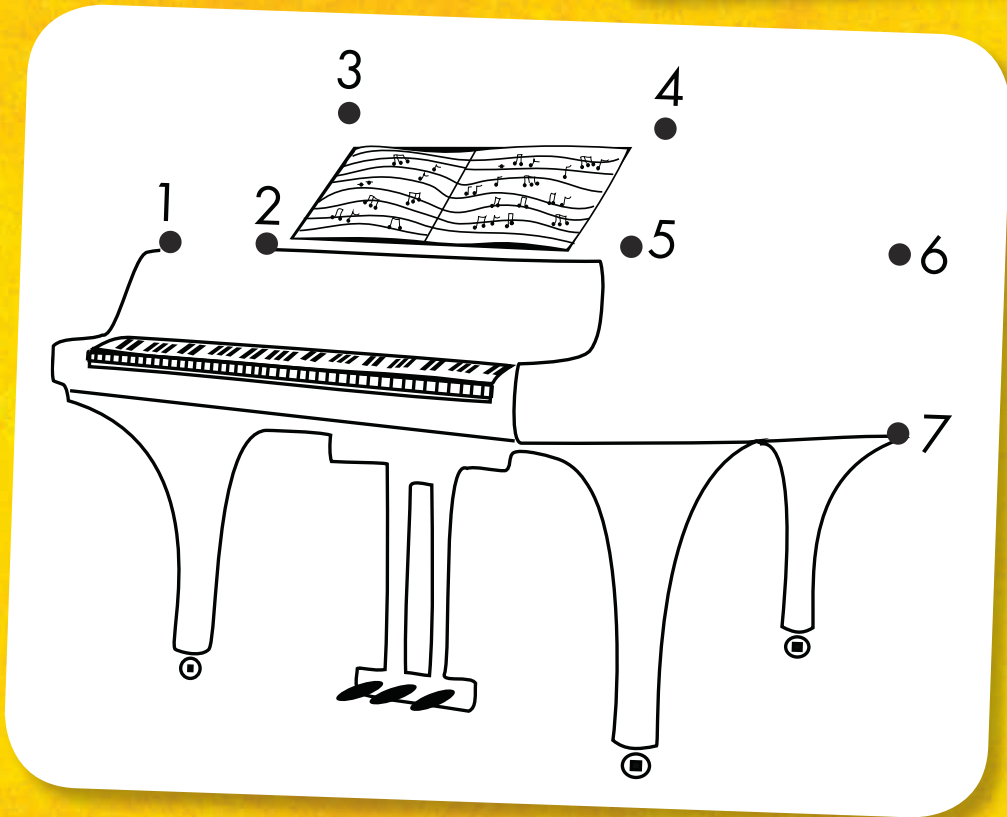
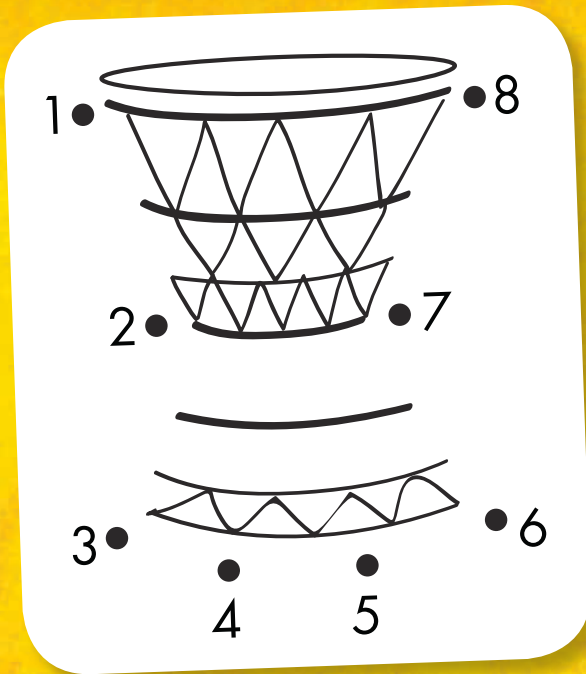


a guitar



a piano

Draw.



loud



Listen, point and say. TR: 43

quiet



Say and stick.



Play the game.

Listen and say. TR: 44



What are you doing?

I'm dancing!

